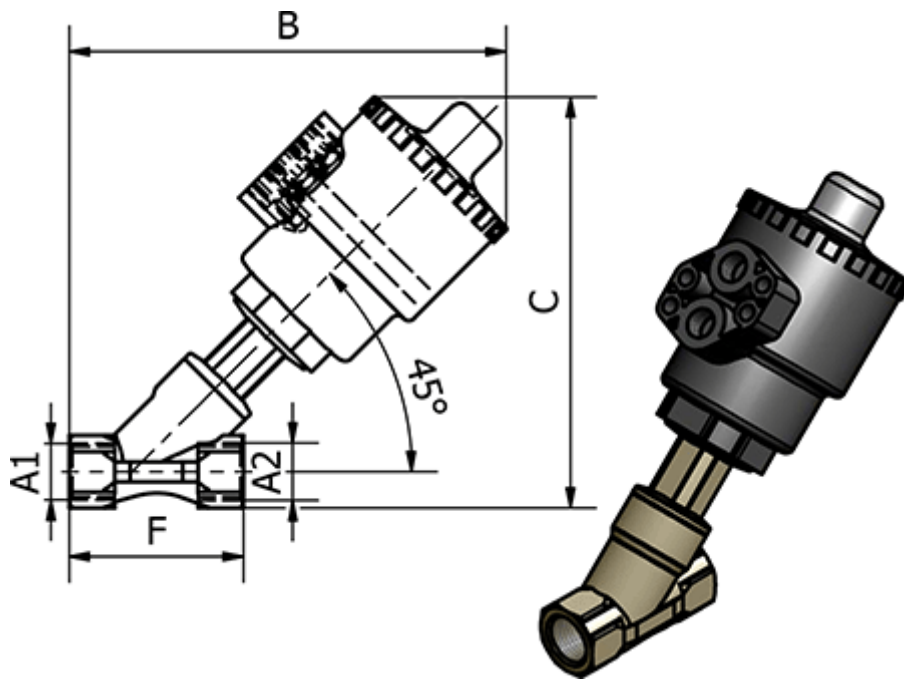


Article number: 58636210

Description: Angle-Seat Valve 362.10, G 2" - G 1/8"
Thread/Thread

Measures



B	= 316
C	= 311
Connecting A1	= G 2"
Connecting A2	= G 2"
Control Air	= G 1/8"
Control Air	= 4-8 bar
F	= 150
Max. Working Pressure	= 10 bar